

XTOOL | SafetyPro™ AP2

Quick Start Guide



List of items - - - - - 01

Meet xTool SafetyPro™ AP2 - - - - - 01

Install xTool SafetyPro™ AP2 - - - - - 02

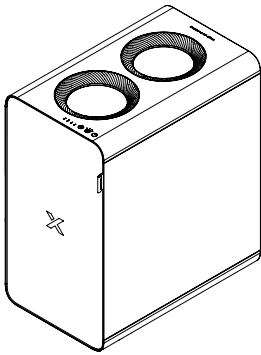
Use xTool SafetyPro™ AP2 - - - - - 07

Use with XCS - - - - - 07

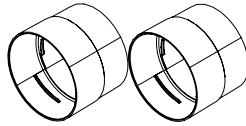
Indicator description - - - - - 08

Maintenance - - - - - 08

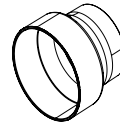
List of items



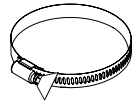
xTool SafetyPro™ AP2



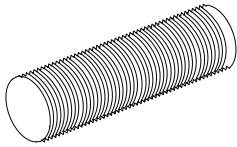
Pipe connector 1



Pipe connector 2



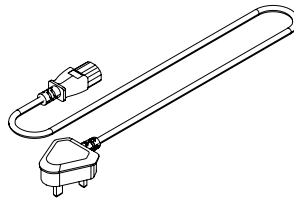
Pipe clamp



Smoke exhaust pipe



Bluetooth dongle



Power cable



Quick start guide

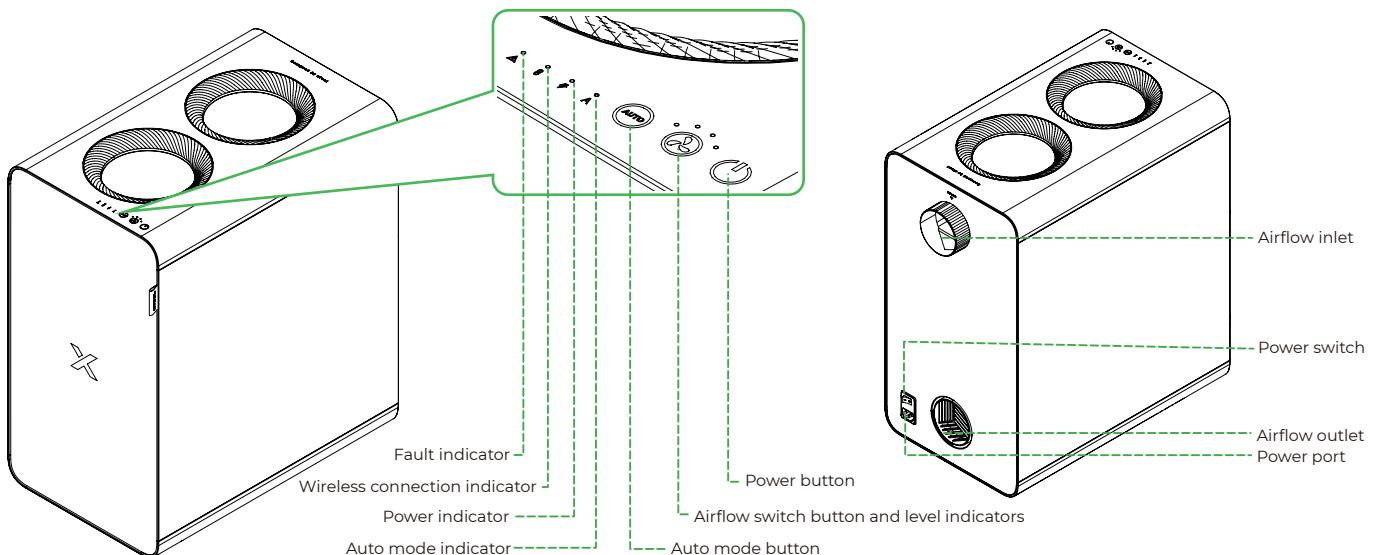


Safety instructions

Note:

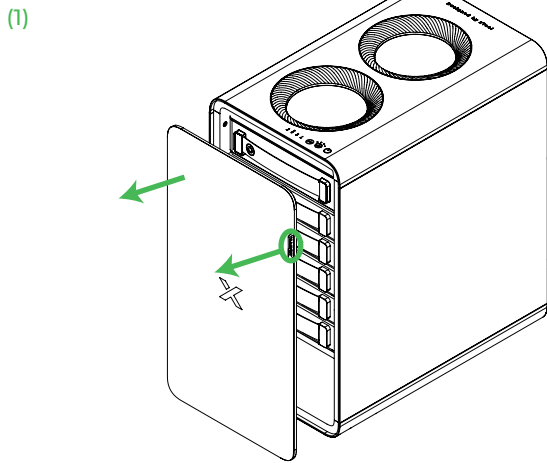
- The power cable varies according to the region in which the product is delivered.
- Pipe connector 1 is applicable to xTool S1 and F1 Ultra.
- Pipe connector 2 is applicable to xTool M1 Ultra, M1, F1, P2, P2S, D1, and D1 Pro.

Meet xTool SafetyPro™ AP2

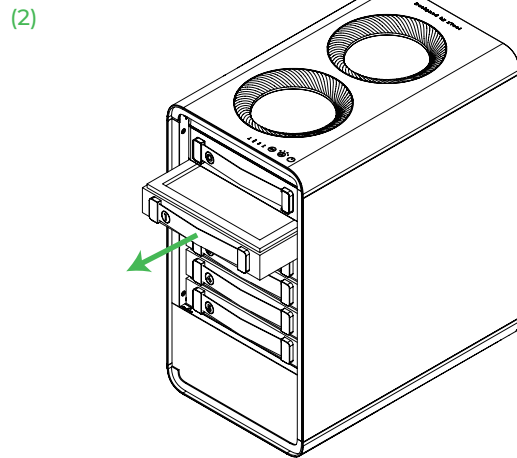


Install xTool SafetyPro™ AP2

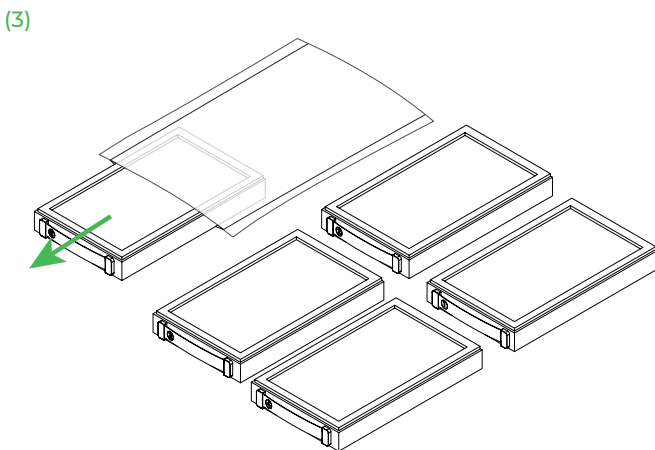
1 Install the filters



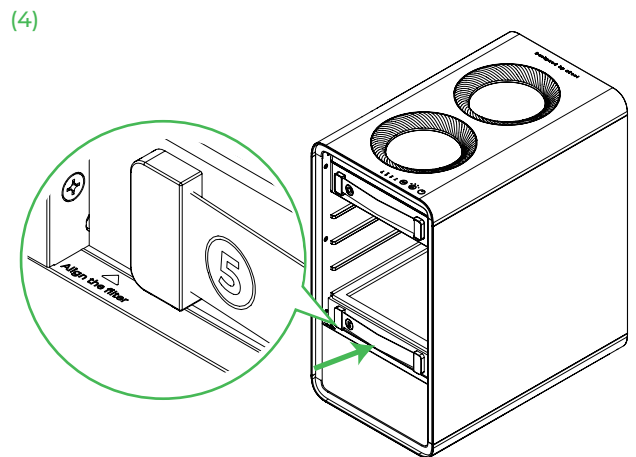
Open the door by pulling the handle.



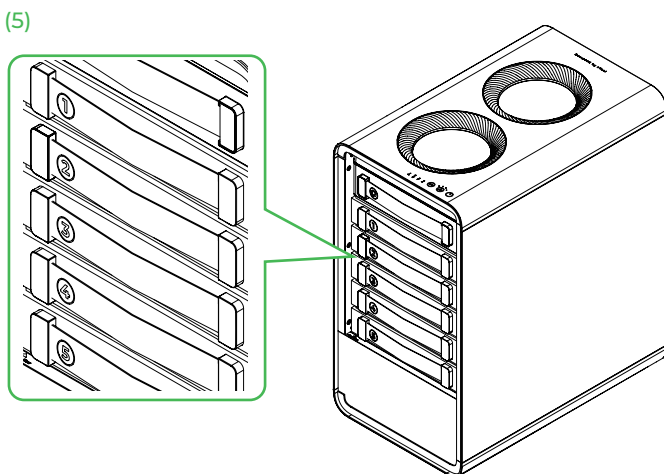
Take out the filters one by one. Do not remove the cyclone above filter 1.



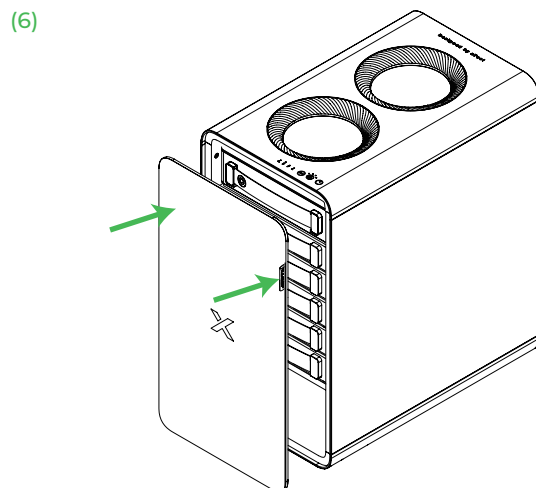
Take all filters out of their protective bags.



Put filter 5 back first. Ensure that you push it all the way in and that you see the filter alignment line.

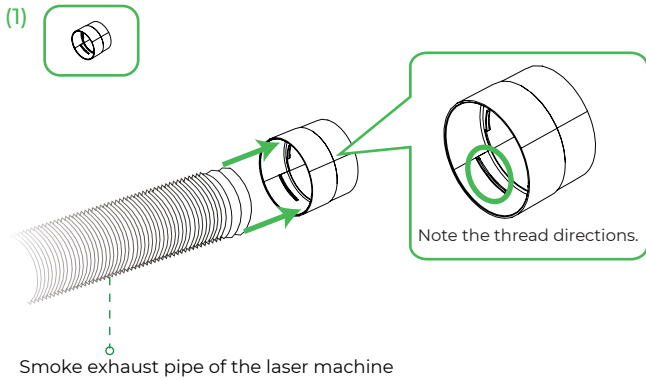


Put the other four filters back in sequence. Ensure that you push them all the way in and that they align with filter 5.

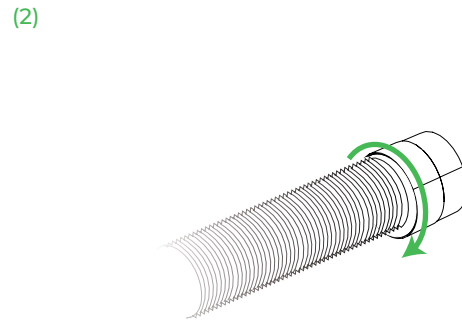


2 Connect the smoke exhaust pipe

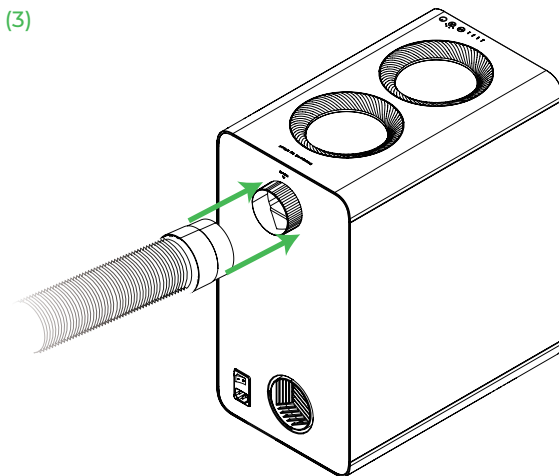
(1) Applicable to xTool S1 and F1 Ultra



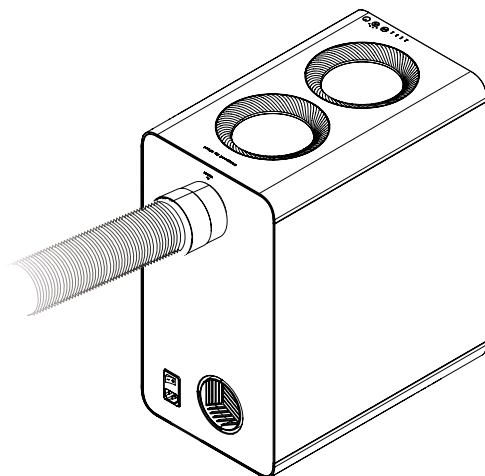
Connect the smoke exhaust pipe of the machine to pipe connector 1.



Rotate the pipe connector counterclockwise to secure the pipe and connector.

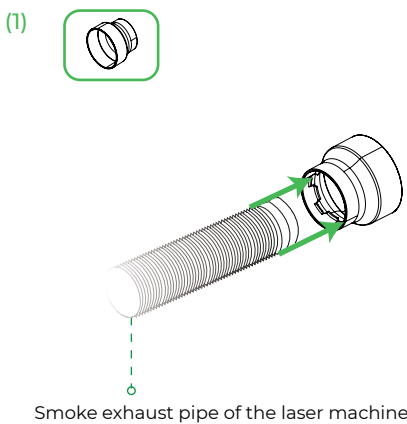


Connect the pipe connector and pipe to the airflow inlet of the purifier.

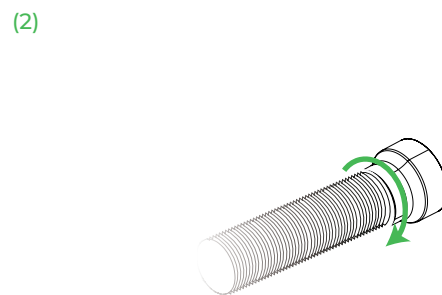


Complete

(2) Applicable to xTool M1 Ultra and F1

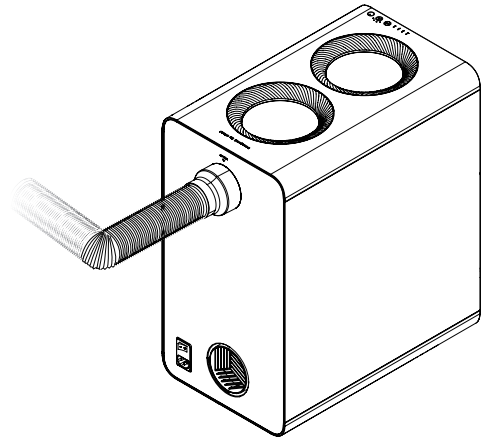
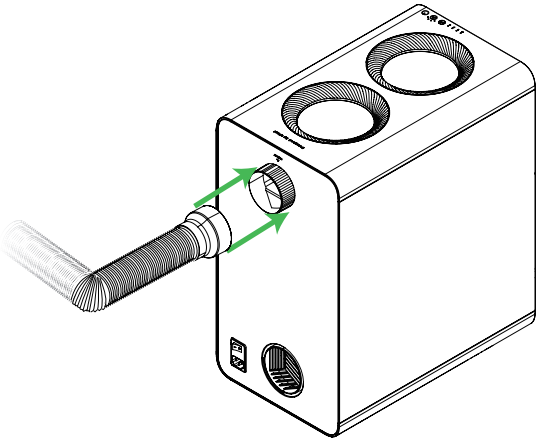


Connect the smoke exhaust pipe of the machine to pipe connector 2.



Rotate the pipe connector counterclockwise to secure the pipe and connector.

(3)

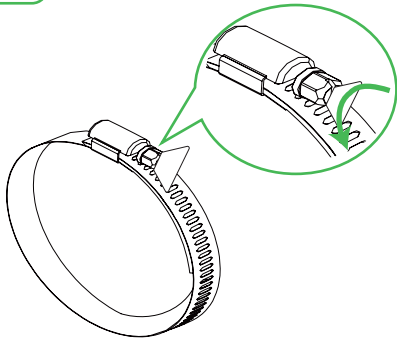


Connect the pipe connector and pipe to the airflow inlet of the purifier.

Complete

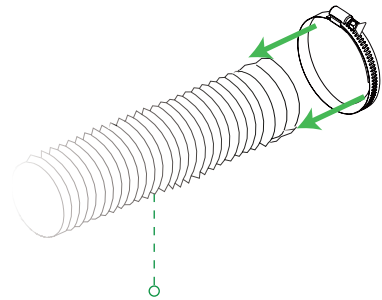
(3) Applicable to xTool M1, P2, P2S, D1, and D1 Pro

(1)



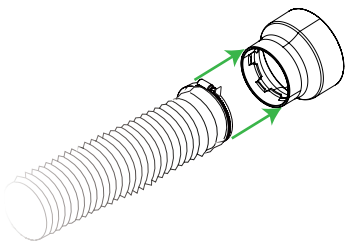
Loosen the pipe clamp.

(2)

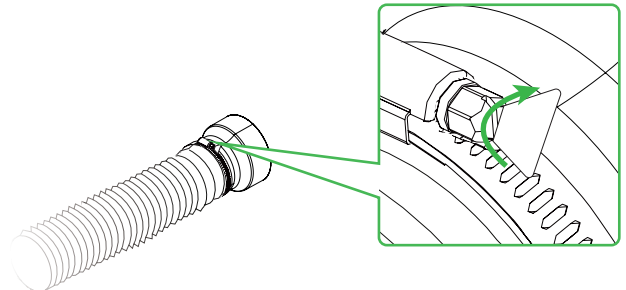


Smoke exhaust pipe of the laser machine

(3)

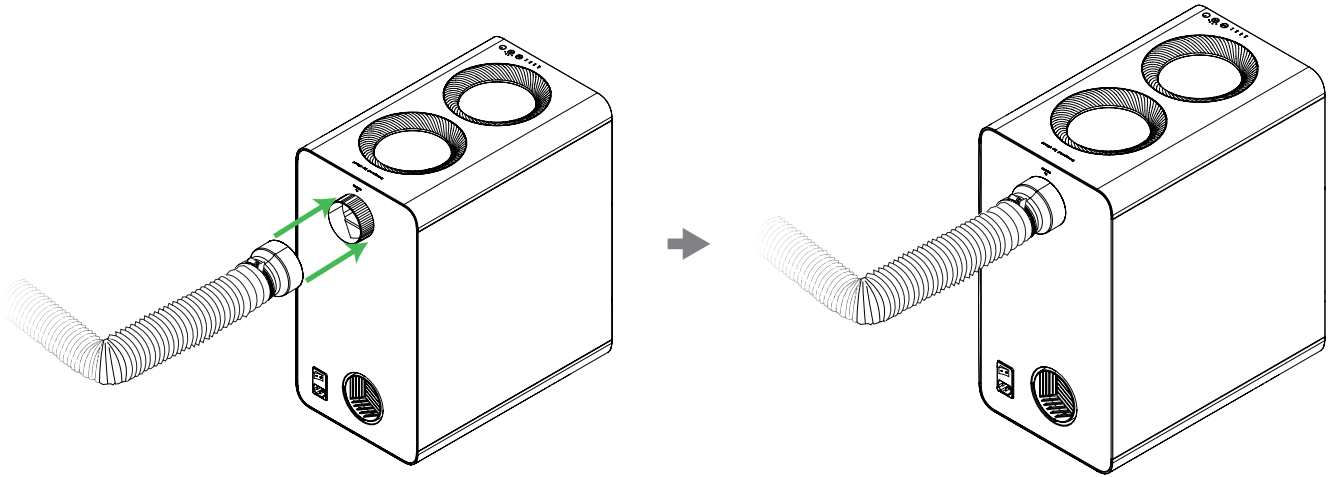


(4)



Tighten the pipe clamp.

(5)

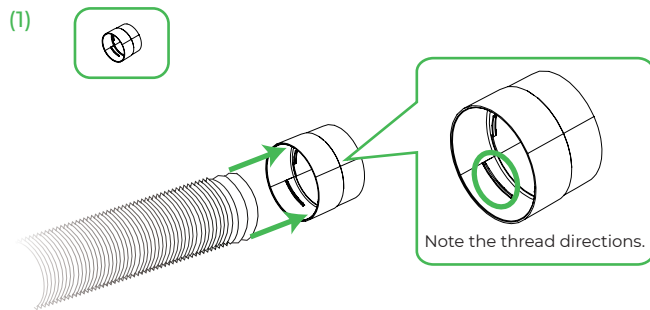


Connect the pipe connector and pipe to the airflow inlet of the purifier.

Complete

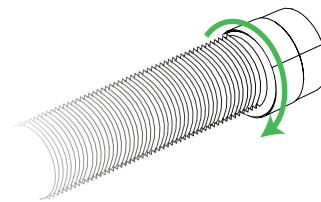
3 (Optional) Connect the smoke exhaust pipe at outlet

Perform this step if you need to exhaust the smoke of the purifier to outdoors.



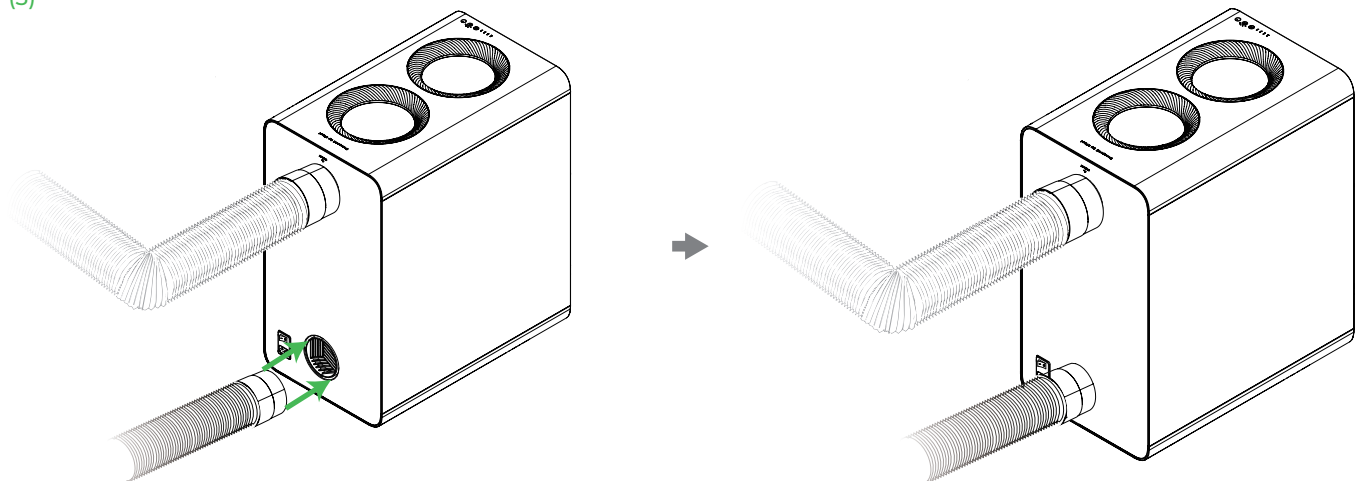
Connect the smoke exhaust pipe included in the package to pipe connector 1.

(2)



Rotate the pipe connector counterclockwise to secure the pipe and connector.

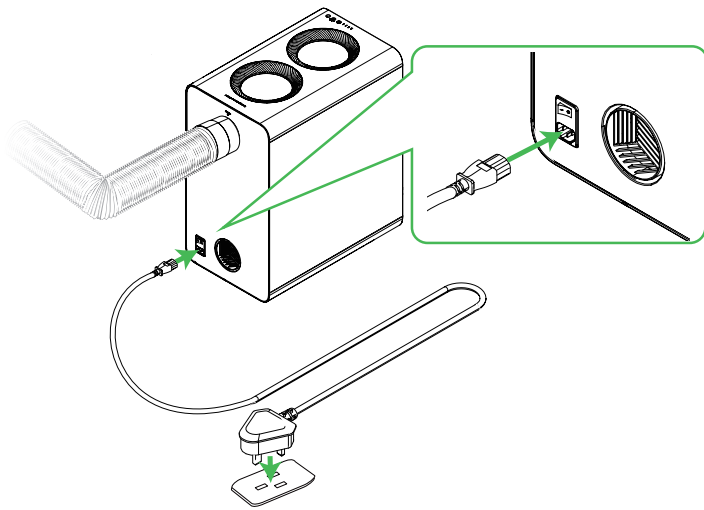
(3)



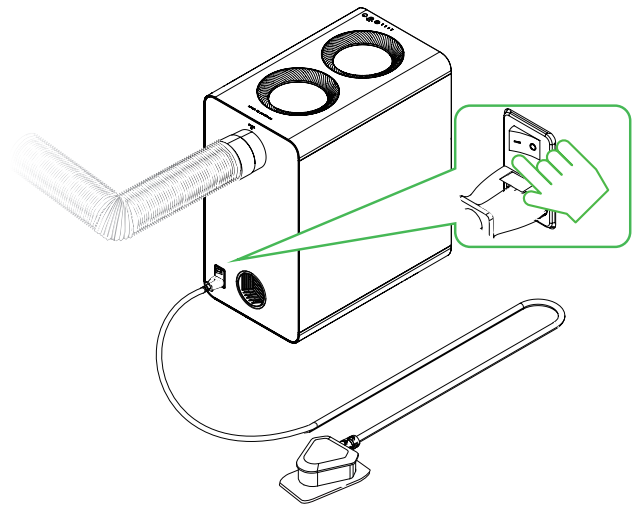
Complete

4 Connect to a power supply

(1)

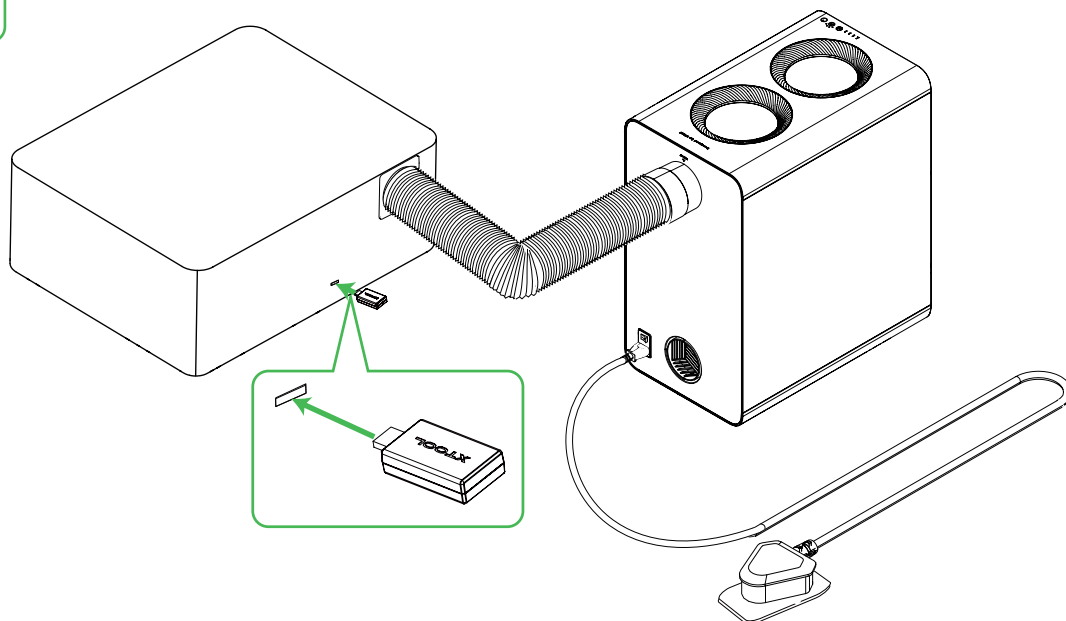


(2)



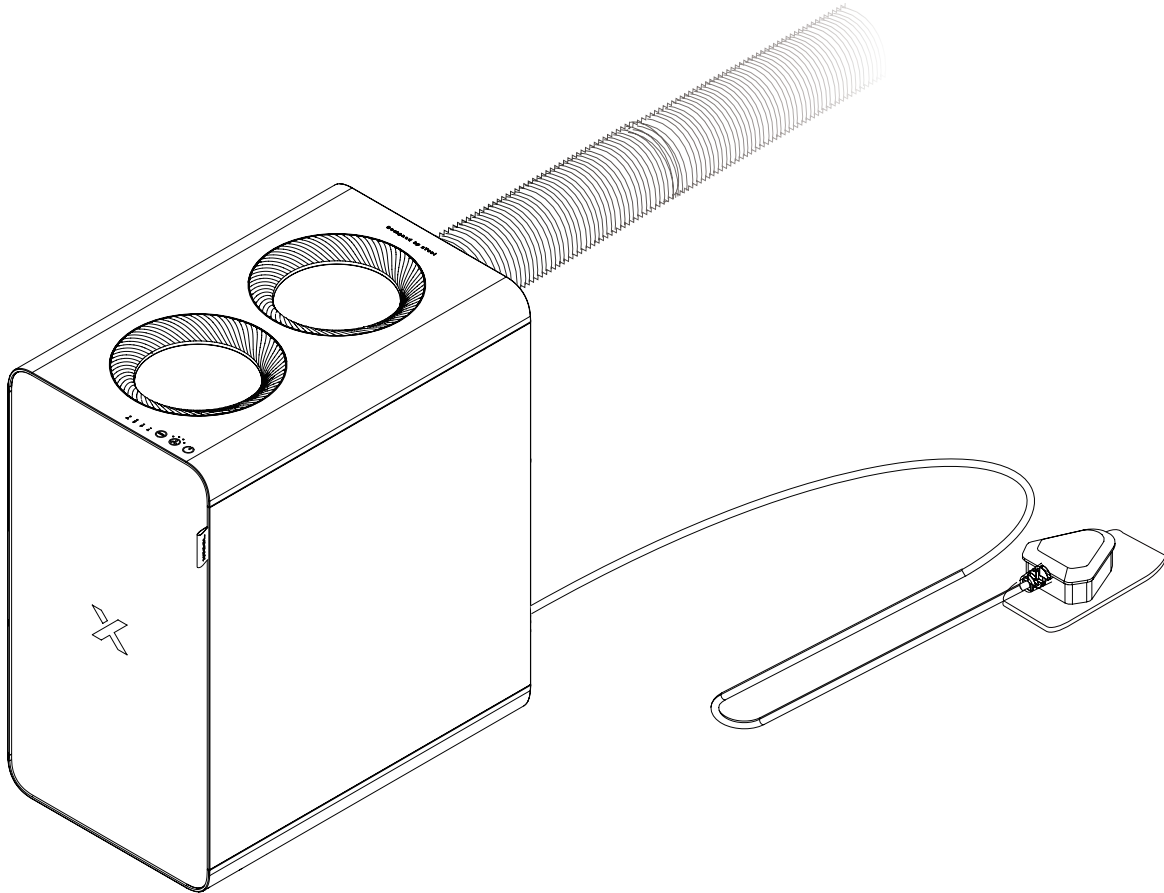
5 Set up wireless connection


A wireless connection can be established only with xTool S1, M1 Ultra, P2S, and F1 Ultra.



- Insert the Bluetooth dongle into the extension port of the xTool machine. The preceding figure is for reference only.
- After the Bluetooth dongle is connected, the connection between the purifier and the xTool machine is automatically established. The machine's **Device settings** page on XCS displays information about the purifier. For more details, see "Use with XCS."

Use xTool SafetyPro™ AP2



In AUTO mode, the purifier adjusts the airflow level based on processing materials. You can also press  to switch between the four levels.

Note that AUTO mode is available only for xTool S1, M1 Ultra, F1 Ultra, and P2S.

Use with XCS

Download XCS



Use xTool SafetyPro™ AP2 on XCS



support.xtool.com/article/1646

Indicator description

Indicator	Indicator status	Device status
⚡ Power indicator	Solid blue	Connected to power
📶 Wireless connection indicator	Blinking blue	Connecting to the machine ...
	Solid blue	Connected to the machine
⚠️ Fault indicator	Solid red	<ul style="list-style-type: none"> ■ Motor blocked ■ Purifier door not closed
⏸️ Auto mode indicator	Solid blue	Working in AUTO mode

Maintenance

1 Replace the filters

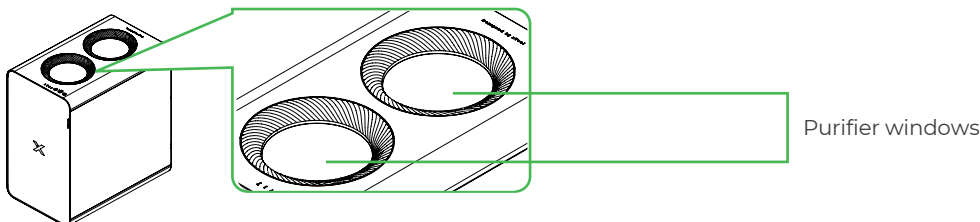
When a filter is reaching its end of life, XCS prompts you to purchase a new one for replacement. For steps about how to replace a filter, see “Install the filters.”



You must disconnect the power cable before replacing any filter.

2 Clean the cyclone

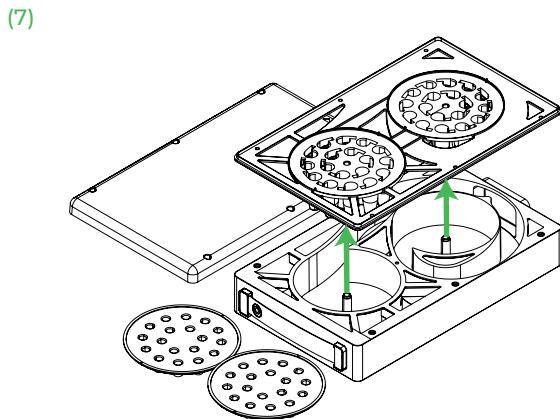
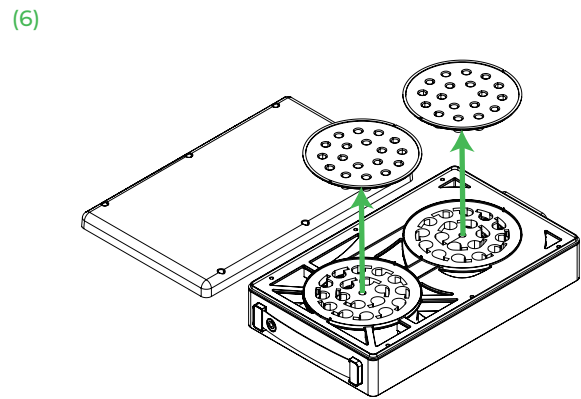
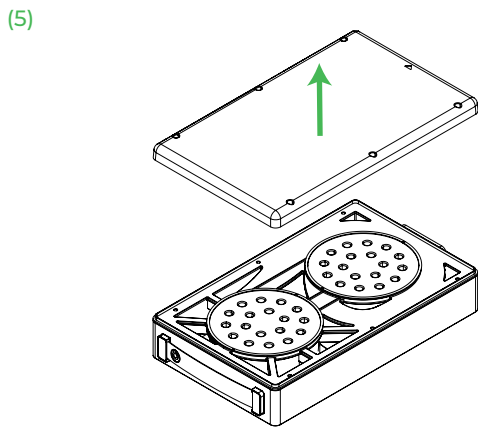
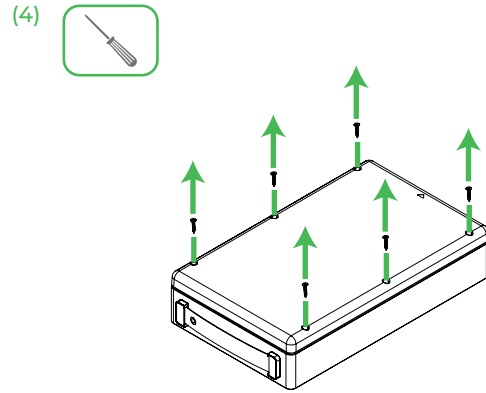
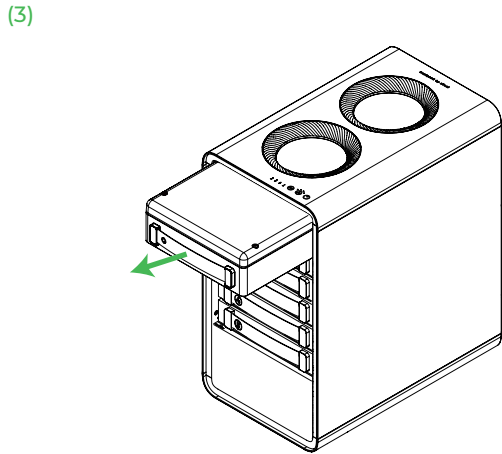
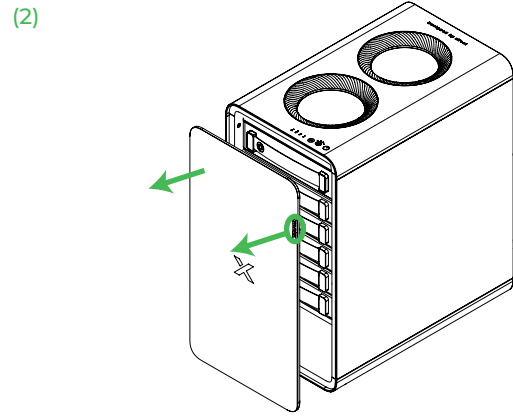
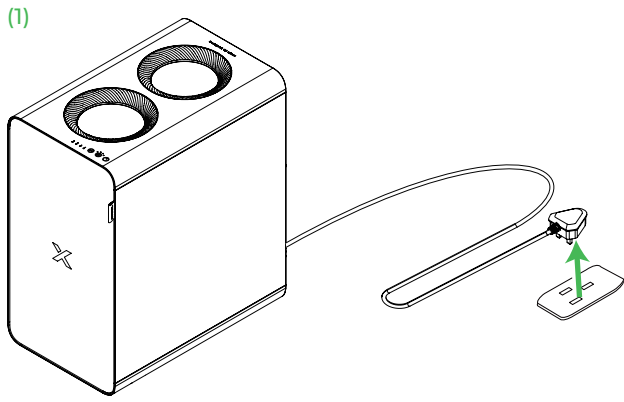
Generally, you need to clean the cyclone every 3 to 6 months. Alternatively, you can check the condition of the cyclone through the windows at the top of the purifier, and clean the cyclone as needed.



(1) Remove the cyclone

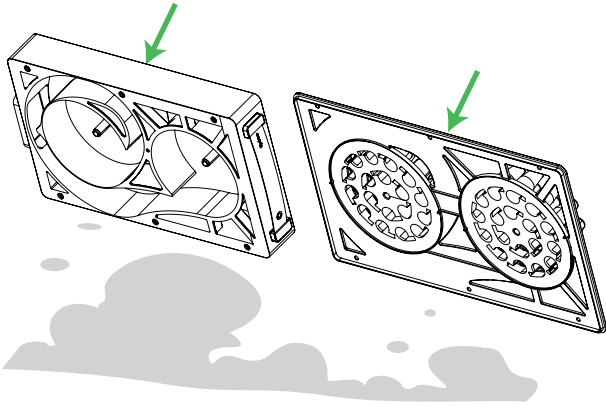


You must disconnect the power cable before removing the cyclone.

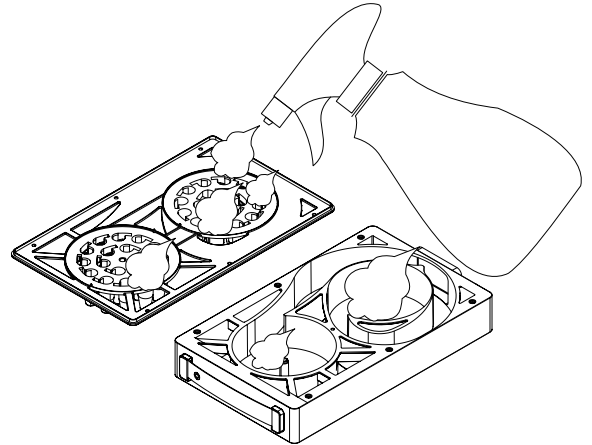


(2) Clean the cyclone

(1)

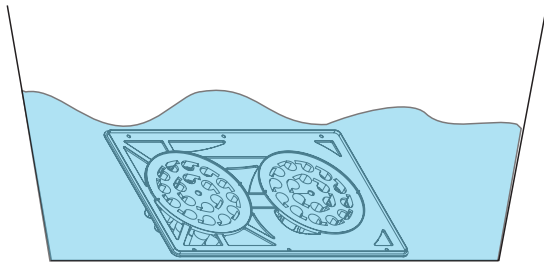


(2)



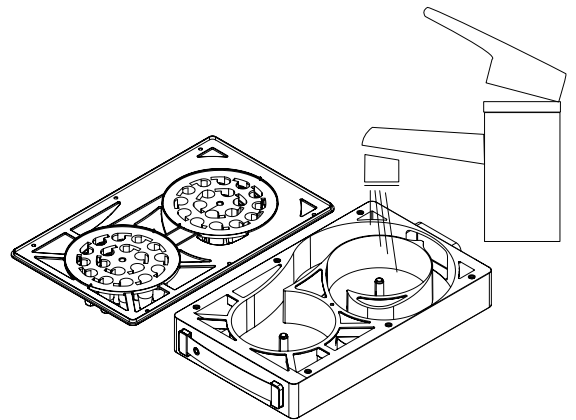
Spray with degreaser.

(3)



Soak in water for approximately 10 minutes.

(4)

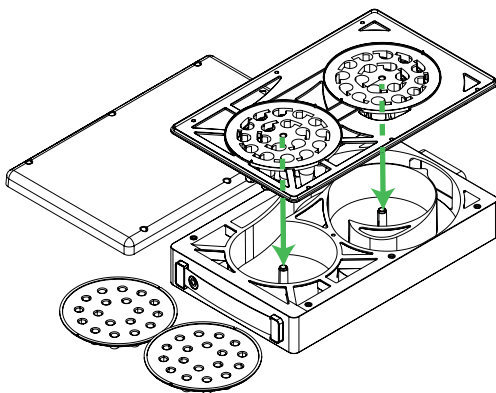


Wash with running water.

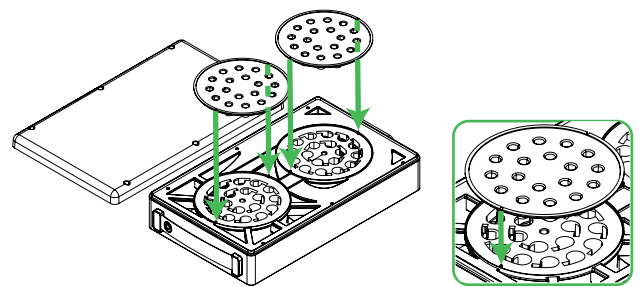
(3) Install the cyclone back

When the cyclone trays are dry, install them back in place.

(1)

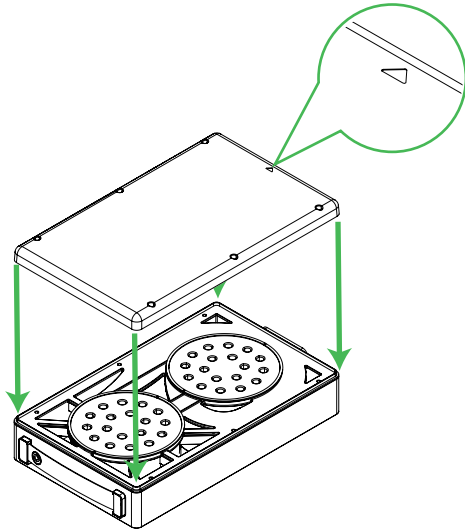


(2)

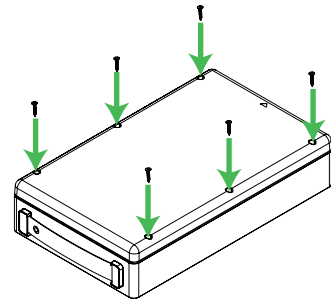


Align the notches as illustrated.

(3)

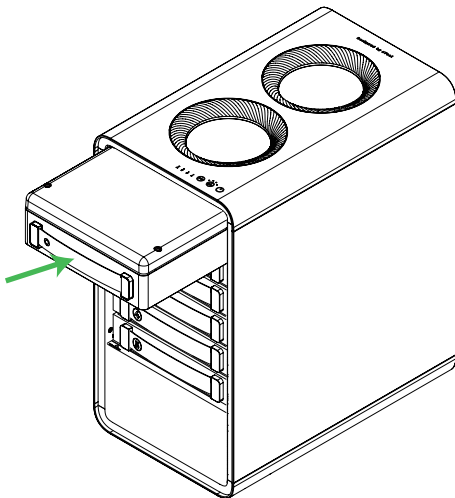


(4)

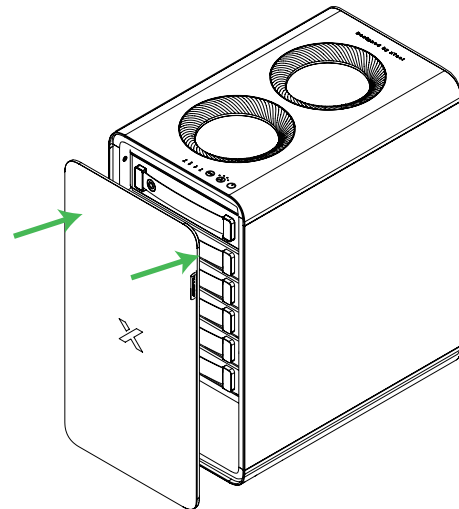


Note the direction of the cover.

(5)



(6)



XTOOL